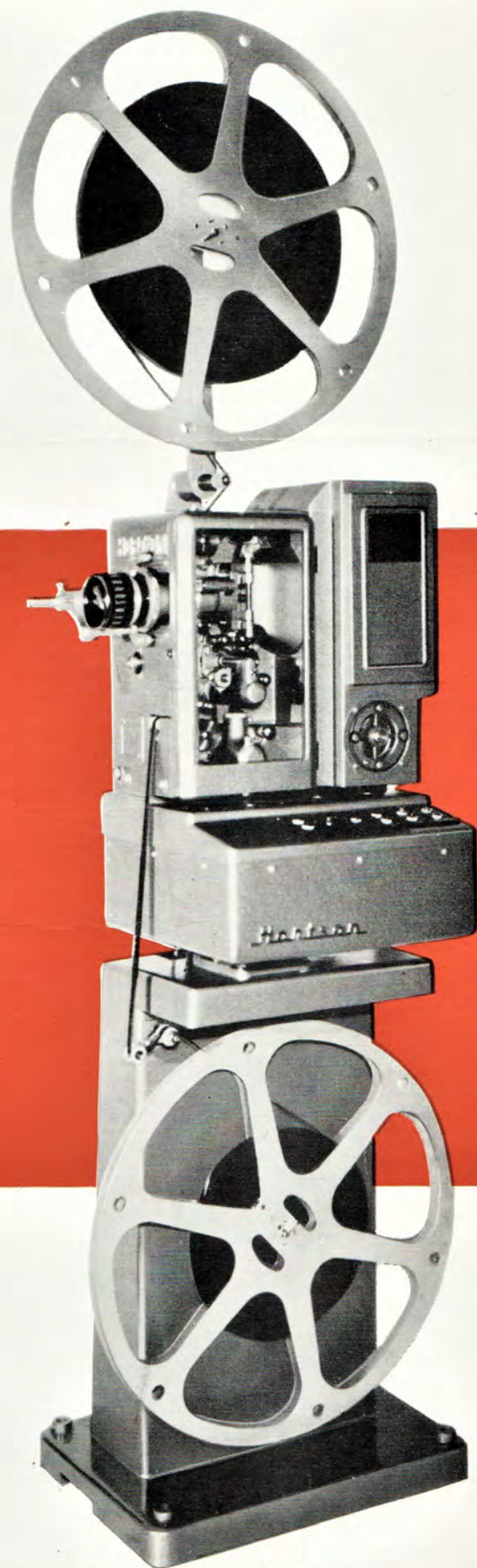


THE HORTSON 16mm SOUND PROJECTOR

brings
35mm technique to
16mm projection

'LANGUEDOC' XENON Mark II

The popular Hortson 'Languedoc' Mark II projection equipment is now supplied with a new design pedestal stand, which is both attractive and functional. The two 5,000 feet spools and projector mechanism are now aligned vertically, thereby obtaining an even greater compactness. The complete equipment, including overhang of the large diameter spools, now stands in an area measuring only 25" × 18", height 78" (approx.). This permits installation in a comparatively small projection room, and an increased working area. Precision manufactured to 35mm standards, the Hortson will give a long and trouble-free service with minimum maintenance. Only cleaning of the film path and occasional lubrication is necessary. Film lacing is extremely simple—over two hours showing can be given with the 5,000 feet spools at standard sound speed of 24 F.P.S. Brilliant theatre quality pictures are obtained with the push-button-operated Xenon lamp. Equipment can be supplied for optical and/or magnetic sound, or silent film.



'LANGUEDOC' Mark II with
swing-aside Cinemascope Lens

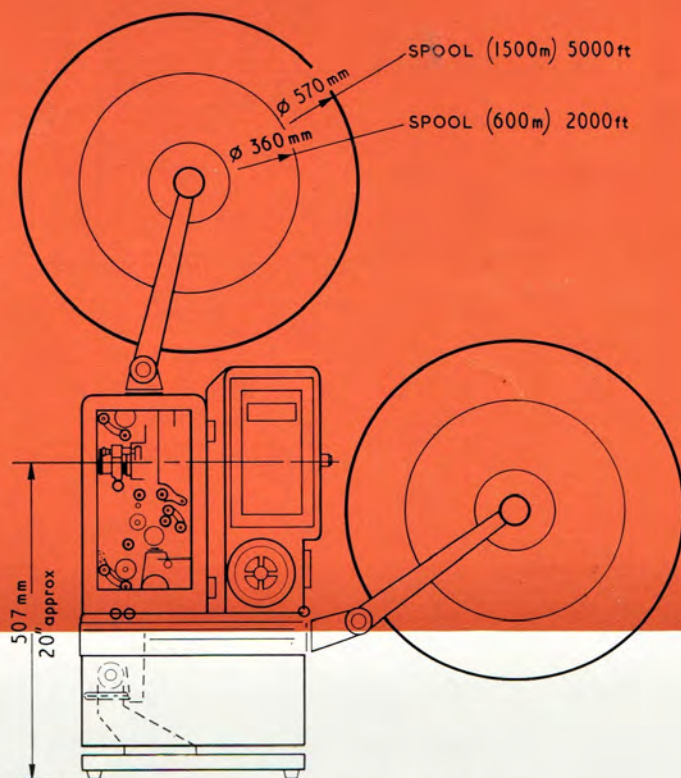
The Rank Organisation **AUDIO VISUAL DIVISION**

Features that ensure top quality pictures and sound.

- 8-point cross movement with intermittent sprocket.
- 16-teeth top and bottom sprockets.
- Totally enclosed forced feed lubrication.
- Press-button motor inching control.
- Positive optical framing.
- Easily changed mask plates for different picture ratios.
- Rigid lens arm with micrometer focusing.
- Swing-aside Cinemascope Lens holder (optional extra).
- Totally enclosed projector mechanism with driven fan cooling.
- Micrometer adjustment for photo-electric cell light slit.
- Pre-focused 6-volt 5-amp exciter lamp.
- High power distortion-free amplifier.

The 'LANGUEDOC' Mark II Specification.

Hortson 16mm professional projector for optical sound reproduction (24 F.P.S.) with 450- or 900-watt Xenon lantern and two 5,000 feet spools. Pedestal stand with levelling screws, or short version (as line drawing), adjustable projection tilt plus 5°, minus 15°, fitted with exciter lamp rectifier. Projector table fitted with control panel and motor for single- or three-phase 50/60 cycles A.C., supplies (voltage must be stated when ordering). Pre-amplifier and main amplifiers available for optical and magnetic sound tracks and for magnetic recording. Auditorium P.M. loudspeaker with 'treble' multi-cellular unit. 50mm projection lens. Extras: Cinemascope lens holder and lens (optional). Rectifier for Xenon lantern.



*Illustrations must not be taken as binding.
Alterations are made as occasion arises.*

'LANGUEDOC' Mark II
on short type stand



The Rank Organisation
AUDIO VISUAL DIVISION

WOODGER ROAD, SHEPHERDS BUSH, LONDON, W.12. Telephone: Shepherds Bush 2050