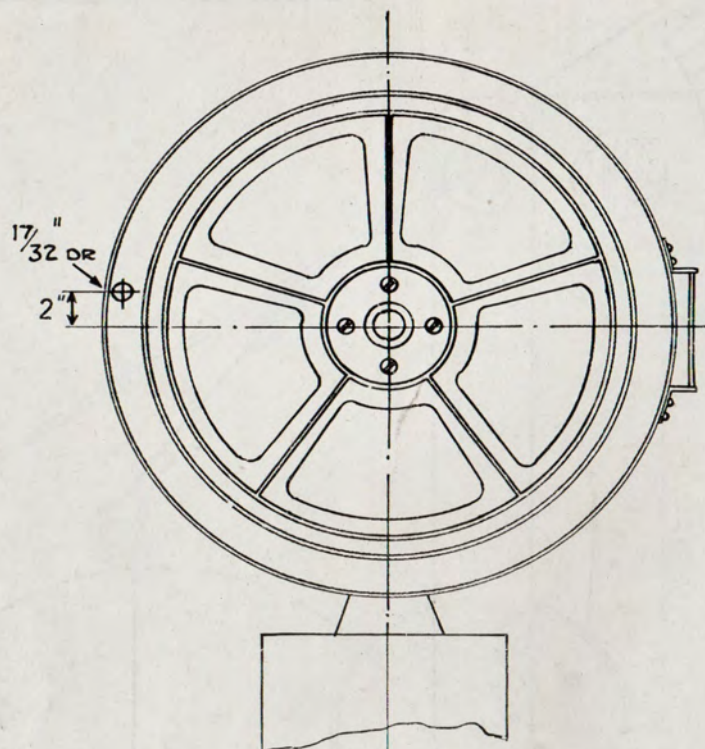




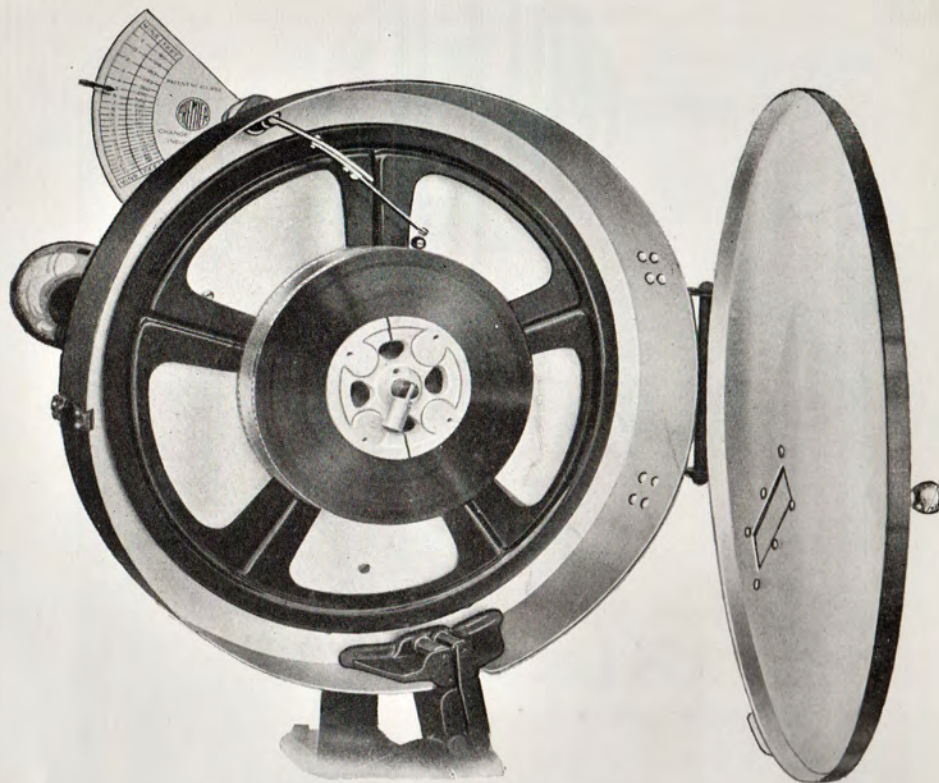
CHANGE
OVER
INDICATOR



SKETCH SHOWING POSITION OF HOLE TO
BE DRILLED IN SPOOL BOX FOR FITTING
"PREMIER" CHANGE OVER INDICATOR.
SPOOL BOX SHOWN WITH LID REMOVED.

INSTRUCTIONS FOR FITTING

- (1) Drill a $17/32$ " diameter hole in the Spool Box in the position shewn in the sketch. To facilitate this it is advisable to drill a small hole first and then enlarge it.
- (2) Fit spindle and secure firmly with the hexagon nut provided.
- (3) Fit and adjust roller arm so that with an empty Spool the roller clears the hub of the Spool by approximately half an inch. (In the case of a spool with a smaller diameter hub than 4" it is necessary to allow correspondingly more clearance.)



PREMIER CHANGE OVER INDICATOR

Patent No. 411992

This is a patented device for indicating to the operator at any given moment how much film is left in the top Spool Box and provides an audible warning signal by means of a hammer which strikes a bell when there is only 90 feet of film left just before the change over is due.

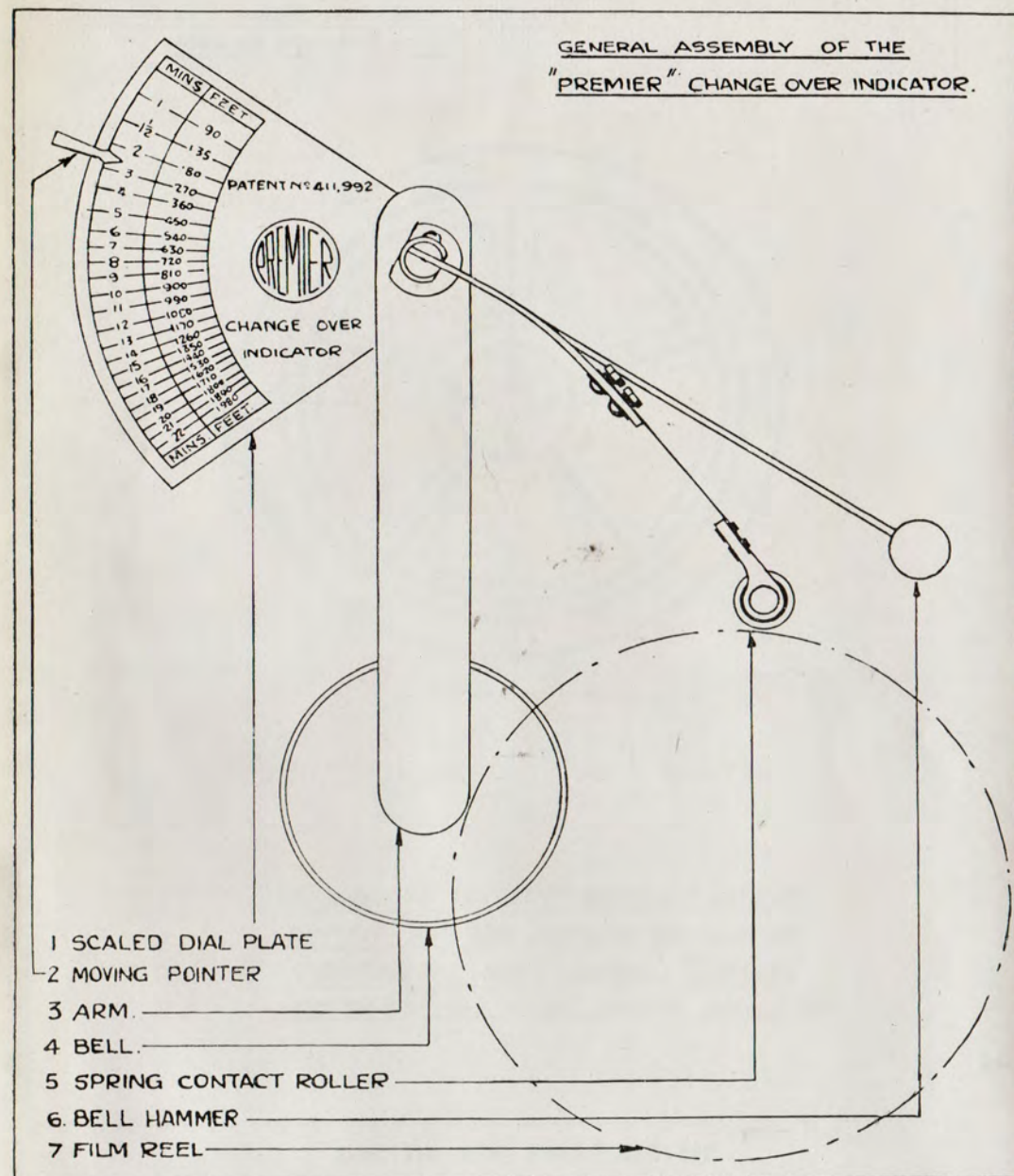
By this means the operator is warned of the impending change over.

It can be fitted to any type of spool box in a few minutes, all that is necessary is to drill a hole in the top of the spool box in the position indicated in the sketch overleaf.

The advantages of the Premier Change Over Indicator are:

- (1) It provides the operator with an audible warning signal just before the change over is due.
- (2) It indicates to the operator on a scale plate mounted outside the spool box exactly how much film is left in it and how many minutes it will take to finish.
- (3) It prevents the necessity for the almost universal practice of opening the top spool box to ascertain how much film is still left on the spool, thus eliminating one very likely cause of fire.
- (4) The only attention the fitting requires is an occasional drop of clean projector oil on the ball bearing contact roller.

Price £6 per pair



The above detailed sketch indicates exactly the arrangement of the various component parts of the device and the manner in which they are assembled.